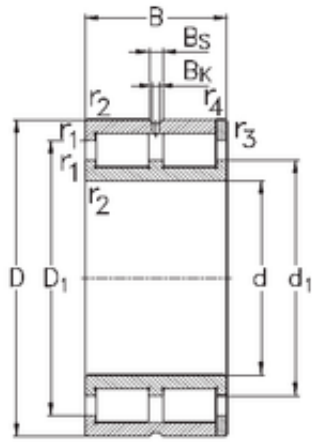




NNC4936-V NKE Cylindrical Roller Bearings



Bearing No. NNC4936-V

Size	180x250x69 mm
Bore Diameter	180 mm
Outer Diameter	250 mm
Width	69 mm
d	180 mm
D	250 mm
B	69 mm
C	69 mm
d1	207 mm
r1 min.	2 mm
r2 min.	2 mm
r3 min.	2 mm
r4 min.	2 mm
D1	223 mm
Weight	11 Kg
Basic dynamic load rating (C)	553 kN
Basic static load rating (C0)	1241 kN

NNC4936-V Bearing 2D drawings and 3D CAD models