

Spherical Bearing Duel: Timken vs. Schaeffler vs. NSK – Which Offers Better Performance?

Introduction

Spherical bearings play a crucial role in mechanical systems by accommodating misalignment and reducing friction between moving parts. Their ability to handle radial and axial loads while allowing for angular displacement makes them essential in various applications across multiple industries. This bearing type is designed to offer flexibility and reliability, which is vital for systems that experience misalignment or require movement in multiple directions.

The purpose of this comparison is to evaluate and determine the performance superiority of spherical bearings from three leading manufacturers: Timken, Schaeffler, and NSK. Each of these companies is renowned for their engineering excellence and innovative solutions in the bearing industry. By examining their spherical bearings, we aim to highlight differences in performance, reliability, and overall value.

Key Aspects of Spherical Bearings:

Functionality: Spherical bearings are designed to support both radial and axial loads while allowing for angular movement. This capability makes them ideal for applications where misalignment might occur.

Applications: These bearings are used in various industries, including automotive, aerospace, industrial machinery, and agriculture. Their ability to handle heavy loads and withstand harsh environments is critical for ensuring operational efficiency and longevity.

Purpose of the Comparison:

Performance Evaluation: Assessing how each brand's spherical bearings perform under different operational conditions, including load capacity, durability, and resistance to wear.

Reliability Analysis: Examining the reliability of each brand's bearings in real-world applications to understand their longevity and failure rates.

Value for Money: Comparing the cost-effectiveness of Timken, Schaeffler, and NSK bearings, considering factors like initial cost, maintenance requirements, and overall lifespan.

we will delve into a detailed comparison of Timken, Schaeffler, and NSK spherical bearings. This analysis will focus on their technical specifications, innovations, and market performance, providing a comprehensive overview to help determine which brand offers the best performance and value in the spherical bearing sector.

Material Specifications and Structural Features

The performance and durability of spherical bearings are significantly influenced by the materials used in their construction and their structural design features. Here, we provide an in-depth analysis of the material

specifications and unique structural features of spherical bearings from three leading manufacturers: Timken, Schaeffler, and NSK.

Timken

Timken is renowned for its advanced engineering and high-quality materials used in its spherical bearings. The key aspects of Timken's bearings include:

Material Specifications: Timken spherical bearings are typically manufactured using high-grade chrome steel or stainless steel. Chrome steel, known for its high hardness and wear resistance, ensures that the bearings can handle heavy loads and high speeds. Stainless steel options are also available for applications requiring enhanced corrosion resistance.

Structural Features: Timken spherical bearings are designed with precision and durability in mind. They often feature a self-aligning design, which allows them to accommodate misalignment between the shaft and housing. Additionally, Timken bearings incorporate tapered rollers or spherical rollers, depending on the specific application needs, to enhance load distribution and performance. Their sealed or shielded designs provide protection against contaminants, extending the lifespan of the bearings.

Schaeffler

Schaeffler is another leading player in the bearing industry, known for its innovative materials and structural designs:

Material Composition: Schaeffler spherical bearings are typically made from high-performance materials such as chrome steel and high-carbon chromium steel. These materials are selected for their exceptional hardness, fatigue strength, and resistance to wear. Schaeffler also utilizes ceramic materials in some high-performance applications to improve load capacity and resistance to extreme temperatures.

Structural Innovations: Schaeffler spherical bearings are distinguished by their advanced lubrication systems and unique sealing technologies. Their bearings often feature integrated lubrication grooves or lubricant reservoirs to ensure consistent lubrication under varying operating conditions. Schaeffler also incorporates specialized seals and protective coatings to enhance bearing life and performance in harsh environments.

NSK

NSK is well-regarded for its high-quality bearings and innovative design features:

Materials Employed: NSK spherical bearings are constructed from high-grade bearing steel, including chromium steel and alloy steel, which provides excellent hardness and wear resistance. NSK also offers ceramic hybrid bearings for applications requiring high-speed performance and reduced friction.

Distinctive Characteristics: NSK spherical bearings are known for their robust structural design and advanced sealing technology. They often feature optimized raceway profiles and high-precision manufacturing to ensure smooth operation and reduced noise. NSK's integrated sealing solutions are designed to protect the bearings from contaminants and moisture, enhancing their reliability and extending their operational life.

In summary, while each of these leading manufacturers—Timken, Schaeffler, and NSK—offers high-quality

spherical bearings, their distinct material specifications and structural features cater to different performance needs and application environments. Understanding these differences can help in selecting the most suitable spherical bearing for specific operational requirements.



spherical bearing

Size Range and Compatibility

The size range and compatibility of spherical bearings are crucial factors in determining their suitability for various applications. Each manufacturer—Timken, Schaeffler, and NSK—offers different size options and features that cater to specific needs and industries. Here's a detailed look at the size ranges and compatibility of spherical bearings from these leading brands:

| Manufacturer | Size Range | Compatibility & Applications |
|-------------------|---|--|
| Timken | Bore sizes from 10 mm to 500 mm or more | Suitable for automotive, aerospace, and heavy machinery applications. Timken bearings handle both high-speed and high-load applications, with options for standard and customized dimensions. Includes series such as self-aligning and fixed bearings. |
| Schaeffler | Bore sizes from 20 mm up to several hundred mm | Applicable across automotive, industrial machinery, and aerospace industries. Schaeffler offers bearings with high radial and axial load capacities, and various sealing and lubrication options for specific environments. |

| | | |
|------------|--|---|
| NSK | Bore sizes from 15 mm to 300 mm or more | Versatile for automotive, robotics, and construction industries. NSK provides bearings suitable for high-speed, high-load, and extreme temperature conditions. Options available for standard and customized machinery configurations. |
|------------|--|---|

ptions that are compatible with both standard and customized machinery configurations.

In summary, Timken, Schaeffler, and NSK each offer a wide range of spherical bearings with varying sizes and compatibility to meet diverse application needs. Timken provides a broad size range and application coverage, Schaeffler excels in versatility and specialized solutions, while NSK focuses on performance and adaptability. Understanding these size ranges and compatibility options is essential for selecting the most appropriate spherical bearing for specific operational requirements.

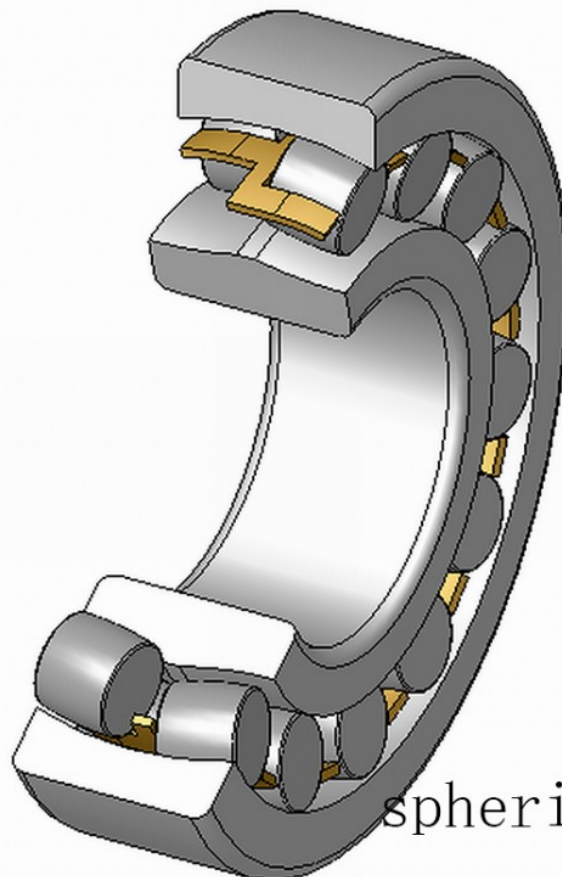
Installation Guidance

Proper installation of spherical bearings is crucial for ensuring their optimal performance and longevity. Each leading manufacturer—Timken, Schaeffler, and NSK—provides specific guidelines and best practices for installing their spherical bearings. Here’s a detailed guide on how to install spherical bearings from these brands:

| Step | Timken | Schaeffler | NSK |
|---------------------|--|--|--|
| Preparation | Clean the installation area thoroughly. Remove debris and contaminants from the housing and shaft. | Ensure the shaft and housing are clean. Clean the Schaeffler spherical bearing before installation. | Thoroughly clean the shaft, housing, and NSK spherical bearing before installation. |
| Inspection | Inspect the bearing for damage or defects. Ensure proper lubrication. | Inspect the bearing for defects and verify it meets specifications. Apply suitable lubricant if required. | Inspect the bearing for visible damage or defects. Verify correct size and type for the application. |
| Alignment | Use alignment tools like dial indicators or laser systems. Ensure precise alignment to reduce stress and wear. | Use precision alignment tools to align the shaft and housing. Misalignment can cause uneven load distribution. | Accurate alignment is essential. Use alignment tools such as dial indicators or laser systems. |
| Installation | Place the bearing on the shaft carefully. Use a | Use a hydraulic press or specialized | Place the bearing onto the shaft carefully. Use a bearing |

| | | | |
|-----------------------------|--|--|---|
| Method | bearing installation tool or press to seat the bearing correctly. | installation tool to mount the bearing. This helps avoid damage during installation. | press or installation tool to ensure proper fitment. |
| Securing the Bearing | Secure using set screws, locking collars, or adhesive as appropriate for the design. | Secure using set screws, retaining rings, or other locking mechanisms provided by Schaeffler. | Secure using set screws or locking collars based on the NSK bearing design. |
| Final Checks | Recheck alignment and verify smooth operation. Ensure there is no excessive play. | Check for proper alignment and functionality. Ensure there is no abnormal noise or vibration during operation. | Recheck alignment and ensure smooth rotation. Address any alignment or fitment issues before use. |

In summary, proper installation of spherical bearings from Timken, Schaeffler, and NSK involves meticulous preparation, alignment, and securing processes. Following the specific guidelines provided by each manufacturer ensures optimal performance and extends the lifespan of the bearings. By adhering to these best practices, users can achieve reliable and efficient operation in their applications.



spherical bearing

Lubrication Methods and Maintenance Practices

Timken: Recommended Lubrication Techniques and Maintenance Schedules for Timken Bearings

Lubrication Techniques:

Grease Lubrication: Timken recommends using high-quality, multi-purpose grease for most spherical bearing applications. Grease should be applied to ensure adequate lubrication under various operational conditions. Timken spherical bearings often come pre-lubricated from the factory, but periodic re-lubrication is essential.

Oil Lubrication: For applications involving high speeds or extreme temperatures, Timken suggests using oil lubrication. This can be either in the form of circulating oil systems or oil baths, depending on the application. Oil provides better cooling and can be more effective in high-speed environments.

Maintenance Schedules:

Routine Inspections: Regular inspections should be performed to check for signs of lubrication failure, such as abnormal noise or increased friction. Visual checks and performance monitoring help in identifying early signs of potential issues.

Re-lubrication Intervals: The frequency of re-lubrication depends on operating conditions such as load, speed, and temperature. Timken provides specific guidelines based on these factors, but a general rule is to re-lubricate every 3 to 6 months. For more demanding conditions, more frequent re-lubrication may be required.

Maintenance Practices:

Cleaning: Before re-lubrication, it's crucial to clean the bearing surfaces to remove old lubricant and contaminants. Timken recommends using appropriate cleaning agents and tools to avoid damage to the bearing.

Monitoring: Implement a condition monitoring system to track bearing performance and predict maintenance needs. This includes monitoring vibration, temperature, and noise levels.

| Aspect | Schaeffler | NSK |
|---------------------------|--|---|
| Grease Lubrication | High-quality, long-life grease suitable for various conditions. Options available for extreme temperatures or high loads. | High-quality, multipurpose grease recommended. Specialized greases for extreme conditions. |
| Oil Lubrication | Oil baths or automatic lubrication systems for precise control, reducing manual intervention. | Oil lubrication systems such as circulating oil or splash lubrication for high-speed or high-temperature applications. |
| Maintenance Tips | | |

| | | |
|-----------------------------|---|---|
| Inspection | Regular inspection for wear or lubricant degradation. Check for discoloration of grease or oil. | Regular inspections for signs of lubricant failure or bearing wear. Monitor changes in noise, vibrations, or temperature. |
| Re-lubrication | Follow manufacturer's recommendations, typically every 3 to 12 months. More frequent re-lubrication for high-load or high-speed applications. | Re-lubrication every 6 to 12 months based on load and environment. More frequent for demanding conditions. |
| Sealing | Ensure seals are in good condition. Advanced sealing technologies extend lubricant life and bearing performance. | Regularly check seals to keep contaminants out and lubricant in. |
| Sealing Cleaning | Clean bearings and components before re-lubrication to prevent contamination. Use approved cleaning agents and methods. | Clean bearings and adjacent areas before re-lubrication to remove old lubricant and debris. |
| Condition Monitoring | Employ techniques such as vibration analysis and temperature measurement to assess bearing health. | Utilize condition monitoring tools such as temperature sensors and vibration analyzers to track performance and anticipate maintenance needs. |

This detailed overview provides insights into the lubrication methods and maintenance practices for Timken, Schaeffler, and NSK spherical bearings. By following these guidelines, you can ensure that your spherical bearings operate efficiently and have a longer service life.



spherical bearing

Replacement Considerations for Spherical Bearings

When it comes to spherical bearings, replacement is a critical task that requires careful consideration to ensure continued performance and reliability. Here's a detailed guide on factors to consider when replacing Timken, Schaeffler, and NSK spherical bearings.

Timken: Factors to Consider When Replacing Timken Spherical Bearings

Identification and Sizing:

Identify the Bearing: Ensure that the replacement Timken spherical bearing matches the specifications of the original bearing. This includes verifying the size, load ratings, and type of bearing.

Check Compatibility: Confirm that the new bearing is compatible with the existing shaft and housing dimensions. Timken provides detailed product catalogs and support to assist with proper identification.

Performance Requirements:

Evaluate Operating Conditions: Consider the operational environment where the bearing will be used. Assess factors such as temperature, load, speed, and exposure to contaminants to select the most suitable bearing.

Performance Upgrades: If applicable, consider upgrading to a higher-performance bearing if the application demands improved performance or longer service life.

Installation Considerations:

Follow Proper Procedures: Adhere to Timken's recommended installation procedures to ensure proper fit and alignment. This helps in minimizing premature wear and failure.

Tools and Equipment: Use appropriate tools for installation, such as bearing presses or alignment tools, to avoid damaging the new bearing.

Post-Installation Checks:

Monitor Performance: After installation, monitor the bearing's performance closely. Look for any signs of abnormal noise, vibration, or temperature changes.

Maintenance Schedule: Establish a maintenance schedule based on the operating conditions to ensure the bearing's longevity and reliability.

Schaeffler: Replacement Procedures and Considerations for Schaeffler Bearings

Bearing Selection:

Determine Exact Specifications: Choose the replacement Schaeffler spherical bearing that matches the original bearing's specifications, including dimensions and load capacities.

Consult Manufacturer Guidelines: Refer to Schaeffler's technical documentation and guidelines to confirm the suitability of the replacement bearing.

Preparation and Handling:

Prepare the Installation Area: Clean the housing and shaft thoroughly to prevent contamination during installation.

Handle with Care: Avoid dropping or mishandling the new bearing to prevent damage.

Installation Process:

Use Recommended Tools: Employ Schaeffler-recommended tools for installation, such as hydraulic presses or installation jigs, to ensure proper fitment.

Check Alignment: Ensure that the bearing is aligned correctly with the shaft and housing to avoid uneven load distribution and premature wear.

Post-Replacement Actions:

Verify Operation: After installation, verify the bearing's operation by checking for smooth rotation and

absence of excessive noise or vibration.

Maintain Regular Checks: Implement a routine inspection and maintenance plan to ensure the bearing continues to perform optimally.

NSK: Guidelines for Effective Replacement of NSK Spherical Bearings

Replacement Planning:

Match Specifications: Verify that the replacement NSK spherical bearing meets the specifications of the original bearing. This includes checking dimensions, load ratings, and type.

Consult NSK Resources: Use NSK's catalogs and support resources to ensure that the correct bearing is selected for the application.

Pre-Installation Preparation:

Clean and Inspect: Thoroughly clean the shaft and housing, and inspect them for any damage or wear. Ensure that the new bearing is free from contamination.

Proper Handling: Handle the bearing with care to avoid any physical damage during installation.

Installation Guidelines:

Adhere to NSK Procedures: Follow NSK's installation guidelines closely. Use appropriate installation tools to ensure that the bearing is properly seated and aligned.

Align Accurately: Ensure precise alignment of the bearing with the shaft and housing to prevent misalignment issues.

Post-Installation Monitoring:

Check for Proper Function: After installation, monitor the bearing for proper operation. Listen for any unusual noises and check for abnormal vibrations.

Set Maintenance Intervals: Establish a maintenance schedule based on the operating conditions to ensure the bearing's continued performance and longevity.

This guide provides a comprehensive overview of key considerations and procedures for replacing spherical bearings from Timken, Schaeffler, and NSK, ensuring optimal performance and reliability in your applications.