

# The Role of Backing Bearings in Enhancing Mechanical System Performance

## 1 Introduction

### Definition and Purpose of Backing Bearings:

Backing bearings, often referred to as back-up or back-up roller bearings, are a critical component in mechanical systems that play a pivotal role in enhancing performance and ensuring the smooth operation of various machinery. These specialized bearings are designed to provide crucial support and load distribution within mechanical systems, contributing significantly to their functionality and reliability.

### Significance of Backing Bearings in Mechanical Systems:

The importance of backing bearings in mechanical systems cannot be overstated. They serve as the foundation upon which rotating components, such as rollers or cylinders, rest. By offering robust support, backing bearings prevent excessive wear and tear, reduce friction, and enable the efficient movement of these components. This, in turn, leads to enhanced mechanical system performance, increased lifespan, and reduced maintenance requirements.

## 2 Types of Backing Bearings

### Overview of Common Types:

Backing bearings come in various types, each designed to meet specific mechanical system requirements. Understanding the different types is crucial in selecting the most suitable backing bearing for a given application.

1. [Solid Backing Bearings](#): Solid backing bearings are the most traditional type and are characterized by their

solid outer ring with a cylindrical raceway. They are commonly used in applications where high load-carrying capacity and rigidity are required. Solid backing bearings distribute loads evenly, making them ideal for heavy machinery and industrial equipment.

2. Split Backing Bearings: Split backing bearings, as the name suggests, feature a split design, which facilitates easier installation and maintenance. This type is preferred in situations where disassembly for maintenance or replacement is a frequent requirement. Split backing bearings are often found in steel mills, where rapid roll changes are necessary.

3. Thin-Walled Backing Bearings: Thin-walled backing bearings are known for their slim and lightweight design. They are commonly used in applications where space constraints are a concern. Their reduced bulk doesn't compromise their load-bearing capacity, making them suitable for compact machinery, robotics, and precision instruments.

4. Heavy-Duty Backing Bearings: Heavy-duty backing bearings are engineered to withstand extreme loads and harsh operating conditions. They are typically found in industries such as mining, construction, and offshore drilling, where reliability under adverse conditions is paramount.

### **Specific Applications for Each Type:**

- Solid backing bearings are frequently employed in rolling mills, papermaking machinery, and extruders due to their ability to handle high axial and radial loads.

- Split backing bearings find utility in applications like conveyor systems, where quick and efficient maintenance is essential to minimize downtime.

- Thin-walled backing bearings are commonly used in medical devices, semiconductor manufacturing equipment, and robotics, where space-saving is crucial.

- Heavy-duty backing bearings excel in demanding environments such as wind turbines, off-road vehicles, and marine equipment, where extreme loads and harsh conditions are prevalent.

Selecting the appropriate backing bearing type is pivotal in optimizing mechanical system performance, as it ensures that the bearing can endure the specific demands of the application. The versatility of these bearing types contributes to their role in enhancing mechanical system performance across various industries.



### **3 Advantages of Backing Bearings**

Backing bearings offer a multitude of advantages that significantly contribute to enhancing mechanical system performance. These advantages are pivotal in ensuring the seamless operation of various machinery and equipment. In this section, we will delve into two key benefits: improved load distribution and support, and enhanced system efficiency and reliability.

#### **Improved Load Distribution and Support:**

One of the primary advantages of backing bearings is their ability to evenly distribute loads and provide robust support to rotating components. This critical function ensures that the mechanical system operates smoothly and efficiently, while minimizing wear and tear on critical components. Let's explore how backing bearings achieve this:

Load Carrying Capacity	Backing bearings are engineered to withstand substantial axial and radial loads. Their robust design and high load-carrying capacity make them ideal for applications where heavy forces are involved, such as industrial machinery and manufacturing equipment.
Reduced Friction	By evenly distributing loads, backing bearings help reduce friction between moving parts. This reduction in friction not only prolongs the life of the bearing itself but also minimizes energy consumption and heat generation. As a result, machinery operates more efficiently, contributing to cost savings and environmental sustainability.

**Enhanced System Efficiency and Reliability:**

Mechanical systems depend on the reliability and efficiency of their components to perform optimally. Backing bearings play a vital role in achieving these objectives, offering several advantages that enhance overall system performance:

Stability and Precision	Backing bearings provide stability and precision in the movement of rotating components. This level of accuracy is crucial in applications like machine tools, where precise positioning and control are essential.
Extended Lifespan	Properly installed and maintained backing bearings contribute to the extended lifespan of mechanical systems. By reducing wear and stress on critical components, they help minimize the need for frequent replacements and costly downtime.
Reduced Maintenance Requirements	The reliability of backing bearings means that maintenance requirements are reduced. This translates to less time and resources spent on servicing machinery, resulting in improved operational efficiency.
Consistency in Performance	Backing bearings maintain consistent performance even under challenging conditions. Whether it's high-speed operation or exposure to harsh

environments, these bearings continue to provide reliable support.
--

In conclusion, the advantages of backing bearings are integral to enhancing mechanical system performance. Their ability to distribute loads evenly, reduce friction, improve efficiency, and enhance reliability ensures that machinery and equipment operate smoothly and consistently. As we explore further, we will discuss proper installation and maintenance techniques to maximize the benefits of these critical components.

## 4 Installation and Maintenance of Backing Bearings

The role of backing bearings in enhancing mechanical system performance is undeniably crucial. However, to fully realize their potential, it is essential to understand the proper techniques for their installation and the ongoing maintenance required to ensure longevity and optimal functioning.

### Proper Techniques for Installation:

Installing backing bearings correctly is a critical step in harnessing their benefits. Improper installation can lead to premature wear, reduced efficiency, and even system failures. Here are some key considerations for the proper installation of backing bearings:

1. **Cleanliness:** Before installation, ensure that all components, including the backing bearing, shaft, and housing, are clean and free of contaminants. Any particles or debris can compromise the bearing's performance.
2. **Alignment:** Precise alignment of the backing bearing with the shaft and housing is essential. Misalignment can lead to increased friction, vibration, and premature wear. Utilize alignment tools and techniques to achieve the required precision.
3. **Fitting:** Depending on the type of backing bearing (e.g., solid or split), ensure that it is fitted securely onto the shaft or within the housing. Follow manufacturer guidelines for proper fitting procedures.

4. **Tightening:** Pay attention to the recommended torque values when tightening fasteners or locking mechanisms. Over-tightening can damage the bearing, while under-tightening may result in inadequate support.

5. **Lubrication:** Proper lubrication is vital for reducing friction and preventing premature wear. Choose an appropriate lubricant and follow lubrication schedules as recommended by the manufacturer.

### **Ongoing Maintenance for Longevity:**

Once backing bearings are correctly installed, ongoing maintenance is essential to ensure their longevity and continued performance. Here are key maintenance tips:

1. **Regular Inspection:** Implement a routine inspection schedule to check for signs of wear, misalignment, or damage. Early detection of issues allows for timely corrective action.

2. **Lubrication Maintenance:** Monitor lubrication levels and quality regularly. Replenish lubricant as needed, and ensure that it is compatible with the operating conditions.

3. **Environmental Considerations:** Be aware of the operating environment, especially if it involves exposure to dust, moisture, or extreme temperatures. Take preventive measures, such as seals or protective covers, to shield the backing bearings from adverse conditions.

4. **Vibration Analysis:** Employ vibration analysis techniques to detect any irregularities or imbalances in the mechanical system. This can help identify issues with backing bearings or other components.

5. **Scheduled Replacements:** Plan for periodic replacements of backing bearings based on their expected lifespan and usage. Replacing bearings before they fail can prevent costly downtime and potential damage to other components.

In conclusion, proper installation and ongoing maintenance of backing bearings are essential to ensure they continue to enhance mechanical system performance effectively. Following the recommended techniques for installation and adhering to a comprehensive maintenance regimen can maximize the lifespan and efficiency of these critical components.

## 5 Future Developments in Backing Bearings

As we explore the vital role of backing bearings in enhancing mechanical system performance, it's essential to also look towards the future and consider the innovations and emerging technologies that will shape the world of backing bearings. Additionally, we will discuss how backing bearings play a pivotal role in sustainable engineering practices.

Innovations and Emerging Technologies:

Backing bearings have come a long way in terms of design, materials, and manufacturing processes. The future promises even more advancements that will further elevate their performance and versatility. Here are some key areas of innovation:

**Advanced Materials:** Manufacturers are constantly researching and developing new materials for backing bearings. Materials that offer increased strength, durability, and resistance to extreme conditions will continue to emerge. This includes the use of advanced composites, ceramics, and coatings.

Smart Bearings	The integration of sensors and monitoring systems into backing bearings is on the horizon. Smart bearings will provide real-time data on operating conditions, allowing for proactive maintenance and optimized performance. This innovation can revolutionize predictive maintenance practices.
Digital Twin Technology	Backing bearings are likely to benefit from digital twin technology, which creates virtual replicas of physical components. Digital twins can simulate real-world scenarios, allowing engineers to test and optimize bearing performance under various conditions before implementation.
Additive Manufacturing	3D printing and additive manufacturing techniques will enable the creation of complex and customized backing bearing designs. This flexibility can cater to specific mechanical system requirements, further enhancing performance.

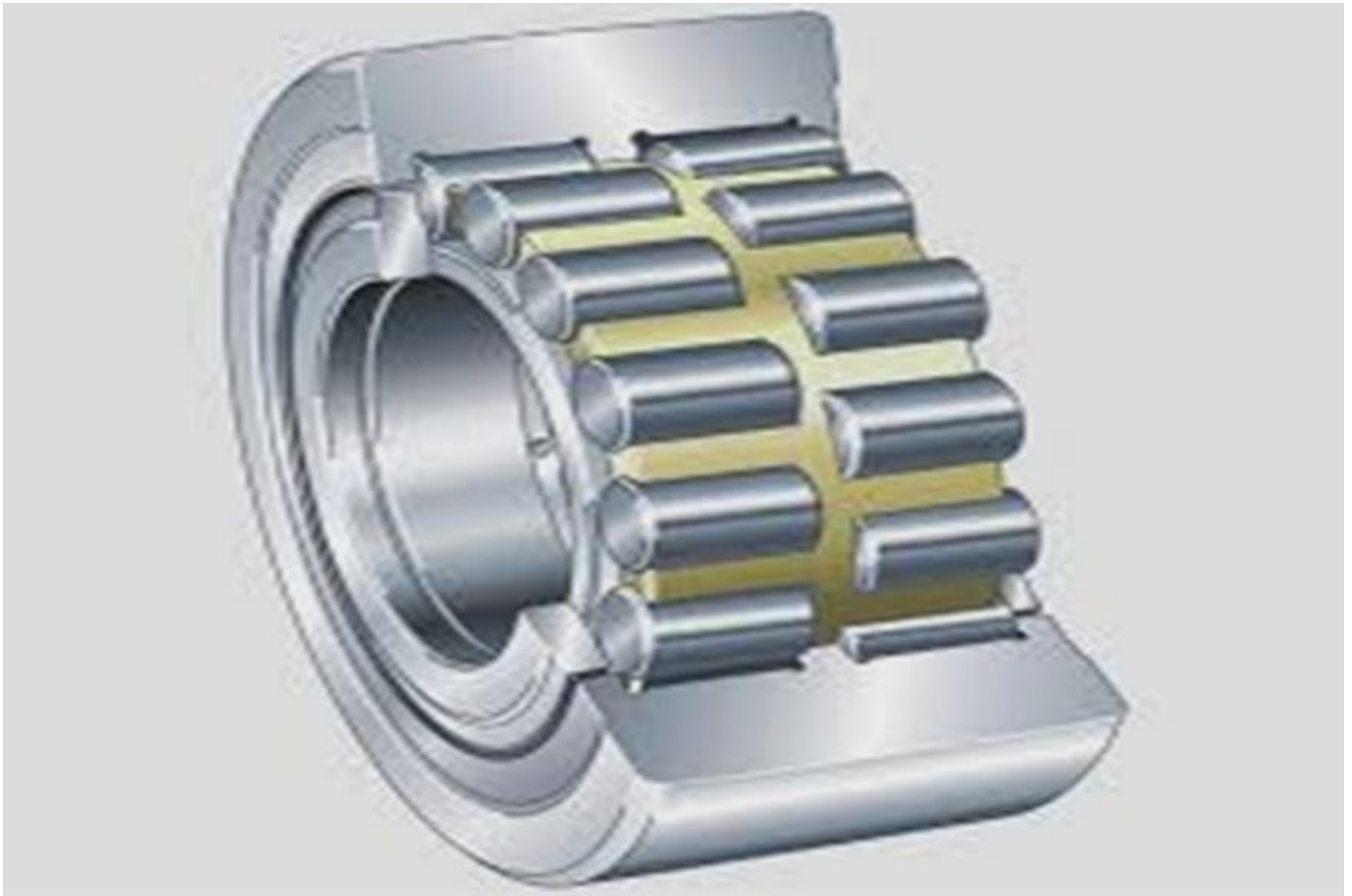
## The Role of Backing Bearings in Sustainable Engineering:

Sustainability is a critical consideration in modern engineering practices. Backing bearings play an important role in achieving sustainability goals:

Energy Efficiency	As backing bearings contribute to reduced friction and improved efficiency, they can help machinery consume less energy. This aligns with sustainability objectives by reducing carbon footprints and operating costs.
Longevity and Reduced Waste	Properly maintained backing bearings have longer lifespans, reducing the need for frequent replacements. This minimizes waste and promotes a circular economy approach.
Enhanced Performance	The improved performance provided by backing bearings ensures that mechanical systems operate at their optimal levels, reducing the need for additional resources or backup systems.
Sustainable Materials	With the emergence of eco-friendly materials in bearing manufacturing, backing bearings can be made from materials with lower environmental impact.

In conclusion, the future of backing bearings is marked by continuous innovation and their integral role in sustainable engineering practices. Advancements in materials, digital technology, and sustainability considerations will shape the landscape of backing bearings, ensuring they continue to enhance mechanical system performance while aligning with environmental and efficiency goals.





## 6 Conclusion

In this comprehensive exploration of the role of backing bearings in enhancing mechanical system performance, we have delved into the critical aspects that make these components indispensable in various industries. As we conclude our journey, it's essential to recap the crucial role played by backing bearings and acknowledge their ongoing impact on mechanical system performance.

### Recap of Backing Bearings' Crucial Role:

Backing bearings, often regarded as unsung heroes within mechanical systems, are the silent forces that ensure smooth operations. Their primary purpose is to provide support, reduce friction, and distribute loads effectively. Throughout this article, we have highlighted their significance in several key areas:

- Friction Reduction: Backing bearings significantly reduce friction, preventing excessive wear and energy loss. This leads to improved efficiency and prolonged component life.

- **Load Distribution:** These bearings excel at distributing loads evenly, preventing localized stress points and potential failures. This ensures that mechanical systems can handle varying loads without compromise.
- **Enhanced Efficiency:** By minimizing friction and maximizing load distribution, backing bearings contribute to enhanced system efficiency. This, in turn, translates into cost savings and increased productivity.
- **Vibration Dampening:** Backing bearings play a vital role in dampening vibrations, reducing noise levels, and maintaining system stability. This is particularly crucial in precision machinery and delicate applications.
- **Maintenance Reduction:** Properly selected and maintained backing bearings require less frequent replacement, reducing downtime and maintenance costs.

### **Their Ongoing Impact on Mechanical System Performance:**

The influence of backing bearings extends beyond initial installation. Their ongoing impact on mechanical system performance cannot be overstated:

- **Sustainability:** Backing bearings contribute to sustainability efforts by promoting energy efficiency, reducing waste, and enhancing the lifespan of mechanical systems.
- **Technology Advancements:** With continuous innovations in materials and manufacturing techniques, backing bearings will continue to evolve, offering even better performance and reliability.
- **Smart Integration:** The integration of sensors and monitoring systems into backing bearings will enable predictive maintenance and real-time performance optimization.
- **Customization:** Advancements in additive manufacturing will allow for highly customized backing bearing

designs, tailored to specific applications.

In conclusion, backing bearings are the unsung heroes that quietly ensure the enhanced mechanical system performance we often take for granted. Their ability to reduce friction, distribute loads, and maintain system stability plays a pivotal role in various industries. As technology advances, backing bearings will continue to evolve, and their impact on sustainable engineering practices will become even more pronounced. We have only scratched the surface of their potential, and their story is far from over. As we look ahead, it's clear that backing bearings will remain essential components in the world of mechanical systems, upholding the standards of efficiency, reliability, and sustainability.

## **7 FAQs: Common Questions About Backing Bearings**

In our exploration of the crucial role played by backing bearings in enhancing mechanical system performance, it's essential to address some common questions that often arise regarding these vital components. Below, we provide answers to frequently asked questions about backing bearings.

### **Q1: What Are Backing Bearings, and What Is Their Purpose?**

Backing bearings, also known as back-up or backing rings, are mechanical components used in various applications to provide support, reduce friction, and distribute loads. Their primary purpose is to enhance the performance and longevity of mechanical systems by ensuring smooth and efficient operation.

### **Q2: What Types of Backing Bearings Are Available?**

Backing bearings come in various types, including thrust washers, strip bearings, and more. Each type is designed for specific applications and load-bearing requirements. The choice of backing bearing type depends on the particular mechanical system and its operational needs.

### **Q3: How Do Backing Bearings Contribute to Enhanced Mechanical System Performance?**

Backing bearings contribute to enhanced performance by reducing friction, which minimizes wear and energy

loss. They also distribute loads evenly, preventing localized stress points and potential failures. This results in improved efficiency, cost savings, and increased productivity.

#### **Q4: Are Backing Bearings Suitable for Sustainable Engineering Practices?**

Yes, backing bearings play a significant role in sustainable engineering practices. Their ability to reduce energy consumption, extend the lifespan of mechanical systems, and minimize waste aligns with sustainability goals. They are an essential component in achieving efficient and eco-friendly engineering solutions.

#### **Q5: How Should Backing Bearings Be Installed and Maintained?**

Proper installation and maintenance are crucial for the optimal performance of backing bearings. They should be installed according to manufacturer guidelines, and regular inspections and lubrication are essential for their longevity. Additionally, monitoring their condition using advanced technology is becoming a best practice.

In conclusion, backing bearings are essential components in mechanical systems, and understanding their role and benefits is key to optimizing system performance. As technology advances and sustainability becomes increasingly important, the backing bearing industry will continue to evolve, offering solutions that enhance efficiency and reliability. If you have further questions or require specific guidance on backing bearings for your application, don't hesitate to consult with experts in the field. Their expertise can ensure that you make informed decisions to enhance the performance of your mechanical systems.